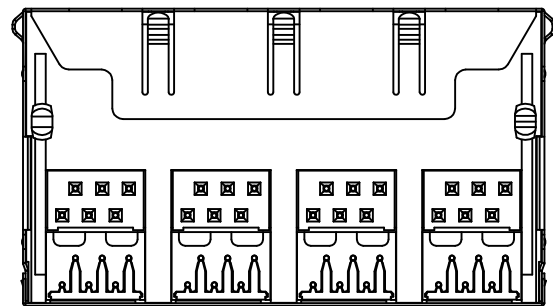
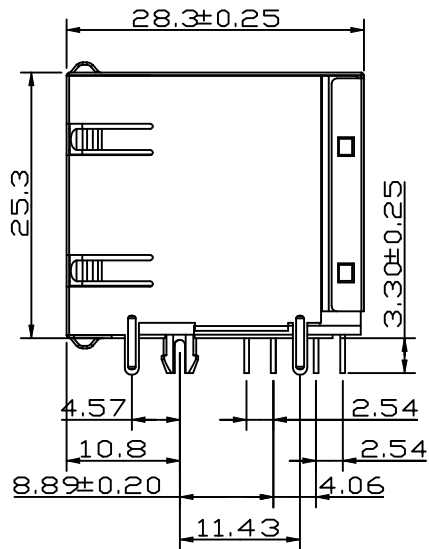
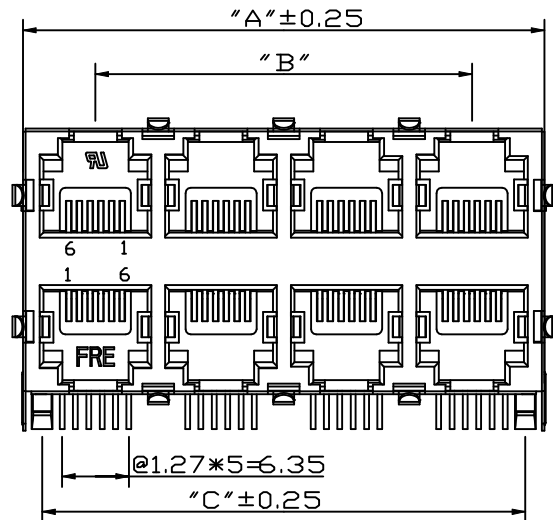


REVISION RECORD				
REV	ECD	DESCRIPTION	DRFT	CHKD
△		ADD P/N	JAM	11/15/05



NOTES:

ELECTRICAL:

- VOLTAGE RATING : 125 VAC RMS.
- CURRENT RATING : 1.5 AMP.
- CONTACT RESISTANCE 50 MILLIOHMS MAX.
- INSULATION RESISTANCE: 1000 MEGOHMS MIN @ 500 VDC.
- DIELECTRIC STRENGTH : 1000 VAC RMS 60Hz, 1MIN.

MECHANICAL:

- HOUSING MATERIAL : GLASS FILLED POLYESTER UL94V-0
- CONTACT MATERIAL : PHOSPHOR BRONZE ϕ 0.46mm.
- PLATING : GOLD PLATING OVER NICKEL.
- OPERATING LIFE : 750 CYCLES MIN.
- PCB RETENTION PRE-SOLDER : 1 LB MIN.
- PCB RETENTION POST-SOLDER : 10 LBS MIN.

ENVIRONMENTAL:

- STORAGE: -40°C TO +85°C.
- OPERATION: 0°C TO 70°C.

MATES WITH MODULAR PLUG CONFORMING TO FCC PART 68, SUBPART F.

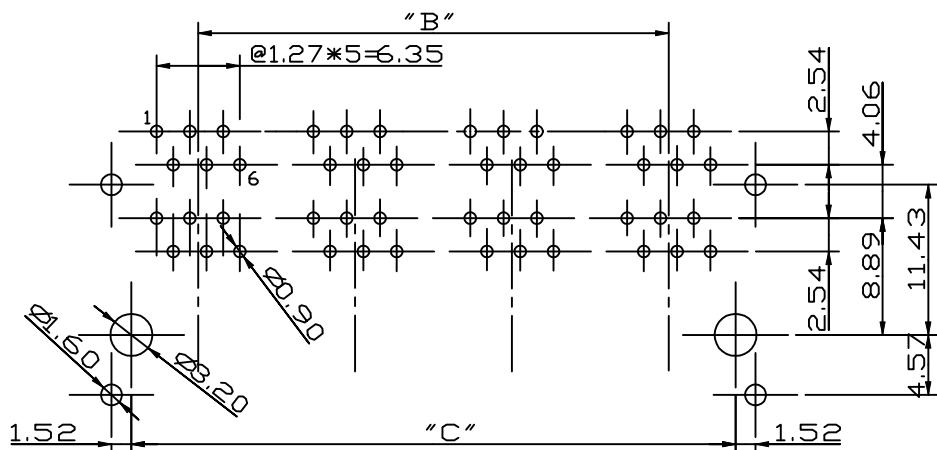
PART NUMBER: E596X-XXX12X

- Contact
- △ 2-2C
 - 4-4C
 - 6-6C
- Gold Thickness:
- 1- 3u" 2- 6u" 3-15u"
 - 4-30u" 5-50u" 6-Pd20u"

- Tab:
- 1-W/D Tab
 - 5-W/ Top & Side & Bottom tabs
- Ports
- A-2x2 C-2x4 D-2x5
 - E-2x6 G-2x8

- Shield:
- D-Nickel Plated With Tinned Grounding Peg
 - 7- Nickel

DIM \ PORT	2x2	2x4	2x5	2x6	2x8
"A"±0.25	25.74	49.61	61.55	73.49	97.37
"B"	11.938	35.814	47.752	59.690	83.566
"C"±0.25	22.10	45.97	57.91	69.85	93.73



PC BOARD COMPONENT SIDE SHOWN

MM		DFTD Garvey	DATE 20-Jul-00
TOLERANCES EXCEPT AS NOTED	CHKD ASHELLY	DATE 2005/11/23	
	MFD	DATE	
.0 ± 0.2	APPVL LSHENG	DATE 2005/11/23	
.00 ± 0.15	MATERIAL :		
.000 ± 0.075	ANGLES ± 0.5	QTY :	
	FINISH :		
	SCALE : 2:1		
THIRD ANGLE PROJECTION			

FULL RISE ELECTRONIC CO., LTD

TITLE
RJ11 STACKED PCB GANG JACK

DRAWING NO. GE593A69 SIZE REV
/PART NO. SEE NOTE A3 1

DO NOT SCALE DRAWING SHEET 1 OF 1